

# Trubolt<sup>®</sup> Wedge Anchors

**Dependable,  
Heavy-Duty,  
Inspectable,  
Wedge Type  
Expansion  
Anchor**



**2015 IBC  
Compliant**

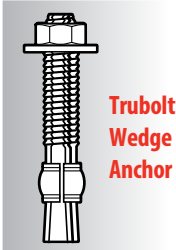
**Trubolt<sup>®</sup>**  
Wedge Anchors

## DESCRIPTION/SUGGESTED SPECIFICATIONS

### Wedge Type Anchors—

#### SPECIFIED FOR ANCHORAGE INTO CONCRETE

Trubolt Wedge anchors feature a stainless steel expansion clip, threaded stud body, nut and washer. Anchor bodies are made of plated carbon steel, hot-dipped galvanized carbon steel, type 304 stainless steel or type 316 stainless steel as identified in the drawings or other notations.



The exposed end of the anchor is stamped to identify anchor length. Stampings should be preserved during installation for any subsequent embedment verification.

Use carbide tipped hammer drill bits made in accordance with ANSI B212.15-1994 to install anchors.

Anchors are tested to ACI 355.2 and ICC-ES AC193. Anchors are listed by the following agencies as required by the local building code: ICC-ES, UL, FM, and Caltrans.

See Appendix B (pages 106-107) for performance values in accordance to 2015 IBC.

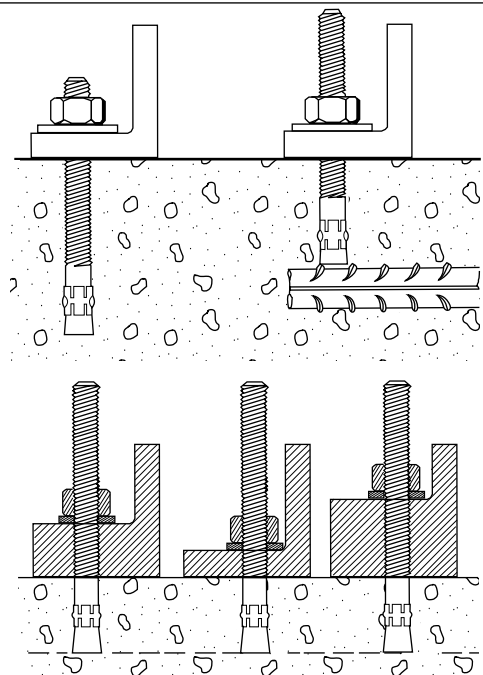
## ADVANTAGES

- 2015 International Building Code (IBC) Compliant for 1/4" through 1/2" diameters-carbon steel
- Versatile fully threaded design is standard on sizes up to 1" diameter and 10" length
- Anchor diameter equals hole diameter
- Standard carbon and stainless steel anchors
- Non bottom-bearing, may be used in hole depth exceeding anchor length
- Can be installed through the work fixture, eliminating hole spotting
- Inspectable torque values, indicating proper installation

### Fully Threaded Advantage

Trubolt's fully threaded feature eliminates subsurface obstruction problems.

Fully threaded design accommodates various material thicknesses at the same embedment. One anchor length saves time and money.



## APPLICATIONS



Anchoring machinery and conveyors is a common wedge anchor application. The Trubolt is fully threaded to allow a large range of embedment and fixture thickness.

## LENGTH INDICATION CODE\*

CODE	LENGTH OF ANCHOR	CODE	LENGTH OF ANCHOR
A	1-1/2 < 2 (38.1 < 50.8)	K	6-1/2 < 7 (165.1 < 177.8)
B	2 < 2-1/2 (50.8 < 63.5)	L	7 < 7-1/2 (177.8 < 190.5)
C	2-1/2 < 3 (63.5 < 76.2)	M	7-1/2 < 8 (190.5 < 203.2)
D	3 < 3-1/2 (76.2 < 88.9)	N	8 < 8-1/2 (203.2 < 215.9)
E	3-1/2 < 4 (88.9 < 101.6)	O	8-1/2 < 9 (215.9 < 228.6)
F	4 < 4-1/2 (101.6 < 114.3)	P	9 < 9-1/2 (228.6 < 241.3)
G	4-1/2 < 5 (114.3 < 127.0)	Q	9-1/2 < 10 (241.3 < 254.0)
H	5 < 5-1/2 (127.0 < 139.7)	R	10 < 11 (254.0 < 279.4)
I	5-1/2 < 6 (139.7 < 152.4)	S	11 < 12 (279.4 < 304.8)
J	6 < 6-1/2 (152.4 < 165.1)	T	12 < 13 (304.8 < 330.2)

\*Located on top of anchor for easy inspection.

## FEATURES



**Length ID Head Stamp**—provides for embedment inspection after installation

**Fully Threaded Design**

**Cold-Formed**—manufacturing process adds strength

**Stainless steel split expansion ring**

**Anchor Body**—available in zinc-plated steel, hot-dipped galvanized steel, 304 stainless steel and 316 stainless steel

**TRUBOLT® WEDGE ANCHOR**

## APPROVALS/LISTINGS

### Trubolt®

Wedge Anchors

ICC Evaluation Service, Inc. ESR-2251

- Category 1 performance rating
- 2015 IBC compliant
- Meets ACI 318 ductility requirements
- Tested in accordance with ACI 355.2 and ICC-ES AC193
- For use in seismic zones A & B
- 1/4", 3/8" & 1/2" diameter anchors listed in ESR-2251

Underwriters Laboratories

Factory Mutual

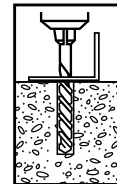
Caltrans

Meets or exceeds U.S. Government G.S.A. Specification A-A-1923A Type 4 (formerly GSA: FF-S-325 Group II, Type 4, Class 1)

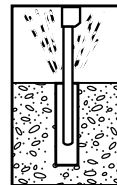
Made in USA



## INSTALLATION STEPS



1. Select a carbide drill bit with a diameter equal to the anchor diameter. Drill hole to any depth exceeding the desired embedment. See chart for minimum recommended embedment.



2. Clean hole or continue drilling additional depth to accommodate drill fines.



3. Assemble washer and nut, leaving top of stud exposed through nut. Drive anchor through material to be fastened until washer is flush to surface of material.



4. Expand anchor by tightening nut 3-5 turns past the hand tight position, or to the specified torque requirement.

**\*\* ONLY FOR USE IN CONCRETE\*\***

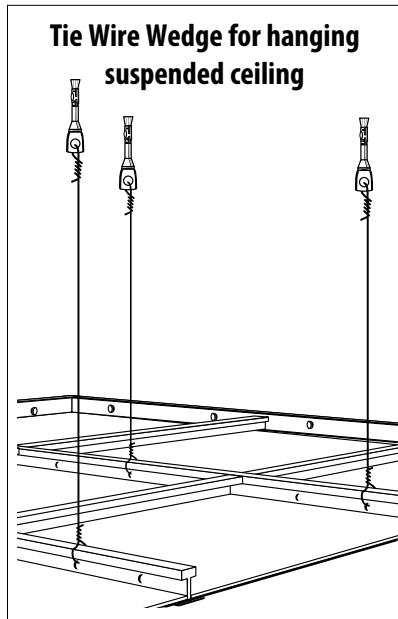
## SELECTION CHARTS

### Trubolt Carbon Steel with Zinc Plating

Meets ASTM B633 SC1, Type III specifications for electroplating of 5um = .0002" thickness.  
This material is well suited for non-corrosive environments.



**Typical Applications**—  
Structural Columns,  
Machinery, Equipment, etc.  
**Environment**—Interior  
(non-corrosive)  
**Level of Corrosion**—Low



PART NUMBER	THREAD LENGTH In. (mm)	ANCHOR DIA. & DRILL BIT SIZE (THREADS) PER INCH	OVERALL LENGTH In. (mm)	MAX. THICKNESS OF MATERIAL TO BE FASTENED In. (mm)	QTY/WT PER BOX lbs.	QTY/WT PER MASTER CARTON lbs.
WS-1416	3/4 (19.1)	1/4" - 20	1-3/4 (44.5)	3/8 (9.5)	100/ 3.1	1000/ 32
WS-1422	1-1/4 (31.8)		2-1/4 (57.2)	7/8 (22.2)	100/ 3.6	1000/ 37
WS-1432	2-1/4 (57.2)		3-1/4 (82.6)	1-7/8 (47.6)	100/ 4.7	800/ 39
WS-3822	1-1/8 (28.6)	3/8" - 16	2-1/4 (57.2)	3/8 (9.5)	50/ 4.1	500/ 41
WS-3826	1-5/8 (41.3)		2-3/4 (69.9)	7/8 (22.2)	50/ 4.7	400/ 39
WS-3830	1-3/4 (44.5)		3 (76.2)	1-1/8 (28.6)	50/ 5.0	400/ 41
WS-3836	2-1/2 (63.5)		3-3/4 (95.3)	1-7/8 (47.6)	50/ 5.9	300/ 36
WS-3850	3-3/4 (95.2)		5 (127.0)	3-1/8 (79.4)	50/ 7.4	250/ 38
WS-3870	3-7/8 (98.4)		7 (177.8)	5-1/8 (130.2)	50/ 10.4	250/ 53
WS-1226	1-1/4 (31.8)	1/2" - 13	2-3/4 (69.9)	1/8 (3.2)	25/ 4.6	200/ 38
WS-1236	2-1/4 (57.2)		3-3/4 (95.3)	1 (25.4)	25/ 5.7	150/ 35
WS-1242	2-3/4 (69.9)		4-1/4 (108.0)	1-1/2 (38.1)	25/ 6.2	150/ 38
WS-1244	3 (76.2)		4-1/2 (114.3)	1-3/4 (44.5)	25/ 6.5	150/ 39
WS-1254	4 (101.6)		5-1/2 (139.7)	2-3/4 (69.9)	25/ 7.7	150/ 47
WS-1270	5-1/2 (139.7)		7 (177.8)	4-1/4 (108.0)	25/ 9.3	150/ 57
WS-5834	1-3/4 (44.5)	5/8" - 11	3-1/2 (88.9)	1/8 (3.2)	10/ 3.6	100/ 37
WS-5842	2-1/2 (63.5)		4-1/4 (108.0)	7/8 (22.2)	10/ 4.1	100/ 42
WS-5850	3-1/4 (82.6)		5 (127.0)	1-5/8 (41.3)	10/ 4.7	100/ 48
WS-5860	4-1/4 (107.9)		6 (152.4)	2-5/8 (66.7)	10/ 5.4	50/ 28
WS-5870	5-1/4 (133.4)		7 (177.8)	3-5/8 (92.1)	10/ 6.2	30/ 19
WS-5884	5-3/4 (146.0)		8-1/2 (215.9)	5-1/8 (130.2)	10/ 8.0	30/ 25
WS-58100	5-3/4 (146.0)		10 (254.0)	6-5/8 (168.3)	10/ 9.4	30/ 29
WS-3442	2-3/8 (60.3)	3/4" - 10	4-1/4 (108.0)	1/4 (31.8)	10/ 6.8	60/ 42
WS-3446	2-7/8 (73.0)		4-3/4 (120.7)	3/4 (19.1)	10/ 7.4	60/ 45
WS-3454	3-5/8 (92.1)		5-1/2 (139.7)	1-1/2 (38.1)	10/ 8.1	50/ 41
WS-3462	4-3/8 (111.1)		6-1/4 (158.8)	2-1/4 (57.2)	10/ 9.1	30/ 28
WS-3470	5-1/8 (130.2)		7 (177.8)	3 (76.2)	10/ 9.7	30/ 30
WS-3484	5-3/4 (146.0)		8-1/2 (215.9)	4-1/2 (114.3)	10/ 12.3	30/ 38
WS-34100	5-3/4 (146.0)		10 (254.0)	6 (152.4)	10/ 14.0	30/ 43
WS-34120	1-3/4 (44.5)		12 (304.8)	8 (203.2)	10/ 16.6	30/ 51
WS-7860	2-1/2 (63.5)	7/8" - 9	6 (152.4)	1-3/8 (34.9)	5/ 6.3	25/ 32
WS-7880	2-1/2 (63.5)		8 (203.2)	3-3/8 (85.7)	5/ 8.1	15/ 25
WS-78100	2-1/2 (63.5)		10 (254.0)	5-3/8 (136.5)	5/ 9.8	15/ 30
WS-10060	2-1/2 (63.5)	1" - 8	6 (152.4)	1/2 (12.7)	5/ 8.3	25/ 43
WS-10090	2-1/2 (63.5)		9 (228.6)	3-1/2 (88.9)	5/ 11.6	15/ 36
WS-100120	2-1/2 (63.5)		12 (304.8)	6-1/2 (165.1)	5/ 15.0	15/ 46
<b>TIE WIRE</b>						
TW-1400	N/A	1/4"	2-1/8 (54.0)	9/32-hole (7.1)	100/ 3.6	1000/ 36
TW-1400 K	N/A		2-1/8 (54.0)	9/32-hole (7.1)	BULK	1500/ 73

## SELECTION CHARTS

### Trubolt Carbon Steel with Hot-Dipped Galvanizing

Meets ASTM A153 Class specifications for hot-dipped galvanizing > 45um = .002". It is highly recommended for damp, humid environments near coastal regions. Hot-dipped galvanized Trubolts have a coating thickness of zinc that is almost 10 times as thick as electroplating. This creates greater corrosion resistance at a minimal cost.



**Typical Applications**—  
Railings, Signage, Awnings, etc.  
**Environment**—Rural/  
Suburban (exterior environ-  
ment—  
essentially unpolluted areas)  
**Level of Corrosion**—  
Low to Medium

PART NUMBER	THREAD LENGTH In. (mm)	ANCHOR DIA. & DRILL BIT SIZE (THREADS) PER INCH	OVERALL LENGTH In. (mm)	MAX. THICKNESS OF MATERIAL TO BE FASTENED In. (mm)	QTY/WT PER BOX lbs.	QTY/WT PER MASTER CARTON lbs.
WS-1226G	1-1/4 (31.8)	1/2" - 13	2-3/4 (69.9)	1/8 (3.2)	25/ 4.8	200/ 39
WS-1242G	2-3/4 (69.9)		4-1/4 (108.0)	1-1/2 (38.1)	25/ 6.7	150/ 41
WS-1254G	4 (101.6)		5-1/2 (139.7)	2-3/4 (69.9)	25/ 8.0	150/ 49
WS-1270G	5-1/2 (139.7)		7 (177.8)	4-1/4 (108.0)	25/ 9.7	150/ 59
WS-5834G	1-3/4 (44.5)	5/8" - 11	3-1/2 (88.9)	1/8 (3.2)	10/ 3.7	100/ 38
WS-5860G	4-1/4 (107.9)		6 (152.4)	2-5/8 (66.7)	10/ 5.6	50/ 29
WS-3446G	2-7/8 (73.0)	3/4" - 10	4-3/4 (120.7)	3/4 (19.1)	10/ 7.5	60/ 46
WS-3454G	3-5/8 (92.1)		5-1/2 (139.7)	1-1/2 (38.1)	10/ 8.4	50/ 42
WS-3484G	5-3/4 (146.0)		8-1/2 (215.9)	4-1/2 (114.3)	10/ 12.5	30/ 38

## SELECTION CHARTS

# Trubolt Type 304 Stainless Steel

Serves many applications well. It withstands rusting in architectural and food processing environments and resists organic chemicals, dye stuffs and many inorganic chemicals.



**Typical Applications—**  
Cladding, Stadium Seating, etc.

**Environment—**Urban  
(slight to moderate  
degree of pollution)

**Level of Corrosion—**Medium

PART NUMBER	THREAD LENGTH In. (mm)	ANCHOR DIA. & DRILL BIT SIZE (THREADS) PER INCH	OVERALL LENGTH In. (mm)	MAX. THICKNESS OF MATERIAL TO BE FASTENED In. (mm)	QTY/WT PER BOX lbs.	QTY/WT PER MASTER CARTON lbs.
WW-1416	3/4 (19.1)	1/4" - 20	1-3/4 (44.5)	3/8 (9.5)	100/ 3.2	1000/ 32
WW-1422	1-1/4 (31.8)		2-1/4 (57.2)	7/8 (22.2)	100/ 3.7	1000/ 37
WW-1432	2-1/4 (57.2)		3-1/4 (82.6)	1-7/8 (47.6)	100/ 4.8	800/ 39
WW-3822	1-1/8 (28.6)	3/8" - 16	2-1/4 (57.2)	3/8 (9.5)	50/ 4.1	500/ 41
WW-3826	1-5/8 (41.3)		2-3/4 (69.9)	7/8 (22.2)	50/ 4.8	400/ 39
WW-3830	1-3/4 (44.5)		3 (76.2)	1-1/8 (28.6)	50/ 5.1	400/ 42
WW-3836	2-1/2 (63.5)		3-3/4 (95.3)	1-7/8 (47.6)	50/ 6.0	300/ 37
WW-3850	3-3/4 (95.3)		5 (127.0)	3-1/8 (79.4)	50/ 7.5	250/ 39
WW-1226	1-1/4 (31.8)	1/2" - 13	2-3/4 (69.9)	1/8 (3.2)	25/ 4.7	200/ 38
WW-1236	2-1/4 (57.2)		3-3/4 (95.3)	1 (25.4)	25/ 5.8	150/ 36
WW-1242	2-3/4 (69.9)		4-1/4 (108.0)	1-1/2 (38.1)	25/ 6.3	150/ 39
WW-1254	3 (76.2)		5-1/2 (139.7)	2-3/4 (69.9)	25/ 7.7	150/ 47
WW-1270	3-1/2 (88.9)		7 (177.8)	4-1/4 (108.0)	25/ 9.4	150/ 57
WW-5834	1-3/4 (44.5)	5/8" - 11	3-1/2 (88.9)	1/8 (3.2)	10/ 3.6	100/ 37
WW-5842	2-1/2 (63.5)		4-1/4 (108.0)	7/8 (22.2)	10/ 4.2	100/ 43
WW-5850	3-1/4 (82.6)		5 (127.0)	1-5/8 (41.3)	10/ 4.8	100/ 49
WW-5860	4-1/4 (107.9)		6 (152.4)	2-5/8 (66.7)	10/ 5.5	50/ 28
WW-5870	3-1/2 (88.9)		7 (177.8)	3-5/8 (92.1)	10/ 6.2	30/ 20
WW-5884	3-1/2 (88.9)		8-1/2 (215.9)	5-1/8 (130.2)	10/ 8.0	30/ 25
WW-3446	2-7/8 (73.0)	3/4" - 10	4-3/4 (120.7)	3/4 (19.1)	10/ 6.7	60/ 41
WW-3454	3-5/8 (92.1)		5-1/2 (139.7)	1-1/2 (38.1)	10/ 7.5	50/ 38
WW-3470	3-1/2 (88.9)		7 (177.8)	3 (76.2)	10/ 9.2	30/ 28
WW-3484	3-1/2 (88.9)		8-1/2 (215.9)	4-1/2 (114.3)	10/ 12.3	30/ 38
WW-34100	1-3/4 (44.5)		10 (254.0)	6 (152.4)	10/ 13.5	30/ 42
WW-10060	2-1/2 (63.5)	1" - 8	6 (152.4)	1/2 (12.7)	5/ 8.3	25/ 43
WW-10090	2-1/2 (63.5)		9 (228.6)	3-1/2 (88.9)	5/ 11.4	15/ 35

\* For continuous extreme low temperature applications, use stainless steel.

## SELECTION CHARTS

# Trubolt Type 316 Stainless Steel

Contains more nickel and chromium than Type 304, and 2%-3% molybdenum, which gives it better corrosion resistance. It is especially more effective in chloride environments that tend to cause pitting.



**Typical Applications—**  
Pumps, Diffusers, Gates,  
Weir Plates, etc.

**Environment—**Industrial  
(moderate to heavy  
atmospheric pollution)

**Level of Corrosion—**  
Medium to High



**Typical Applications—**  
Tunnels, Dams, Tiles,  
Lighting Fixtures, etc.

**Environment—**  
Marine (heavy atmospheric  
pollution)

**Level of Corrosion—**High

PART NUMBER	THREAD LENGTH In. (mm)	ANCHOR DIA. & DRILL BIT SIZE (THREADS) PER INCH	OVERALL LENGTH In. (mm)	MAX. THICKNESS OF MATERIAL TO BE FASTENED In. (mm)	QTY/WT PER BOX lbs.	QTY/WT PER MASTER CARTON lbs.
SWW-1422	1-1/4 (31.8)	1/4" - 20	2-1/4 (57.2)	7/8 (22.2)	100/ 3.7	1000/ 37
SWW-1432	2-1/4 (57.2)		3-1/4 (82.6)	1-1/8 (28.6)	100/ 4.8	1000/ 39
SWW-3822	1-1/8 (28.6)	3/8" - 16	2-1/4 (57.2)	3/8 (9.5)	50/ 4.1	500/ 41
SWW-3826	1-5/8 (41.3)		2-3/4 (69.9)	7/8 (22.2)	50/ 4.8	400/ 39
SWW-3830	1-3/4 (44.5)		3 (76.2)	1-1/8 (28.6)	50/ 5.2	400/ 42
SWW-3836	2-1/2 (63.5)		3-3/4 (95.3)	1-7/8 (47.6)	50/ 6.0	300/ 37
SWW-3850	3-3/4 (95.3)		5 (127.0)	3-1/8 (79.4)	50/ 7.5	250/ 39
SWW-1226	1-1/4 (31.8)	1/2" - 13	2-3/4 (69.9)	1/8 (3.2)	25/ 4.7	200/ 39
SWW-1236	2-1/4 (57.2)		3-3/4 (95.3)	1 (25.4)	25/ 5.8	150/ 36
SWW-1242	2-3/4 (69.9)		4-1/4 (108.0)	1-1/2 (38.1)	25/ 6.5	150/ 40
SWW-1254	3 (76.2)		5-1/2 (139.7)	2-3/4 (69.9)	25/ 7.8	150/ 48
SWW-5842	2-1/2 (63.5)	5/8" - 11	4-1/4 (108.0)	7/8 (22.2)	10/ 4.2	100/ 43
SWW-5850	3-1/4 (82.6)		5 (127.0)	1-5/8 (41.3)	10/ 4.8	100/ 49
SWW-5870	3-1/2 (88.9)		7 (177.8)	3-5/8 (92.1)	10/ 6.7	30/ 21

\* For continuous extreme low temperature applications, use stainless steel.

## PERFORMANCE TABLE

# Trubolt Wedge Anchors

## Ultimate Tension and Shear Values (Lbs/kN) in Concrete\*

ANCHOR DIA. In. (mm)	INSTALLATION TORQUE Ft. Lbs. (Nm)	EMBEDMENT DEPTH In. (mm)	ANCHOR TYPE	f'c = 2000 PSI (13.8 MPa)		f'c = 4000 PSI (27.6 MPa)		f'c = 6000 PSI (41.4 MPa)	
				TENSION Lbs. (kN)	SHEAR Lbs. (kN)	TENSION Lbs. (kN)	SHEAR Lbs. (kN)	TENSION Lbs. (kN)	SHEAR Lbs. (kN)
1/4 (6.4)	4 (5.4)	1-1/8 (28.6)	WS-Carbon or WS-G Hot-Dipped Galvanized or WW-304 S.S. or SWW-316 S.S.	1,180 (5.2)	1,400 (6.2)	1,780 (7.9)	1,400 (6.2)	1,900 (8.5)	1,400 (6.2)
		1-15/16 (49.2)		2,100 (9.3)	1,680 (7.5)	3,300 (14.7)	1,680 (7.5)	3,300 (14.7)	1,680 (7.5)
		2-1/8 (54.0)		2,260 (10.1)	1,680 (7.5)	3,300 (14.7)	1,680 (7.5)	3,300 (14.7)	1,680 (7.5)
3/8 (9.5)	25 (33.9)	1-1/2 (38.1)		1,620 (7.5)	2,320 (10.3)	2,240 (10.0)	2,620 (11.7)	2,840 (12.6)	3,160 (14.1)
		3 (76.2)		3,480 (15.5)	4,000 (17.8)	5,940 (26.4)	4,140 (18.4)	6,120 (27.2)	4,500 (20.0)
		4 (101.6)		4,800 (21.4)	4,000 (17.8)	5,940 (26.4)	4,140 (18.4)	6,120 (27.2)	4,500 (20.0)
1/2 (12.7)	55 (74.6)	2-1/4 (57.2)		3,455 (20.7)	4,760 (21.2)	4,920 (22.7)	4,760 (21.2)	6,025 (31.3)	7,040 (31.3)
		4-1/8 (104.8)		4,660 (20.7)	7,240 (32.2)	9,640 (42.9)	7,240 (32.2)	10,820 (48.1)	8,160 (36.3)
		6 (152.4)		5,340 (23.8)	7,240 (32.2)	9,640 (42.9)	7,240 (32.2)	10,820 (48.1)	8,160 (36.3)
5/8 (15.9)	90 (122.0)	2-3/4 (69.9)		5,185 (29.3)	7,120 (31.7)	7,180 (31.9)	7,120 (31.7)	9,225 (43.2)	9,616 (42.8)
		5-1/8 (130.2)		6,580 (29.3)	9,600 (42.7)	14,920 (66.4)	11,900 (52.9)	16,380 (72.9)	12,520 (55.7)
		7-1/2 (190.5)		7,060 (31.4)	9,600 (42.7)	15,020 (66.8)	11,900 (52.9)	16,380 (72.9)	12,520 (55.7)
3/4 (19.1)	110 (149.2)	3-1/4 (82.6)	6,765 (31.7)	10,120 (45.0)	10,840 (48.2)	13,720 (61.0)	13,300 (59.2)	15,980 (71.1)	
		6-5/8 (168.3)	10,980 (48.8)	20,320 (90.4)	17,700 (78.7)	23,740 (105.6)	20,260 (90.1)	23,740 (105.6)	
		10 (254.0)	10,980 (48.8)	20,320 (90.4)	17,880 (79.5)	23,740 (105.6)	23,580 (104.9)	23,740 (105.6)	
7/8 (22.2)	250 (339.0)	3-3/4 (95.3)	9,290 (42.3)	13,160 (58.5)	14,740 (65.6)	16,580 (73.8)	17,420 (77.5)	19,160 (85.2)	
		6-1/4 (158.8)	14,660 (65.2)	20,880 (92.9)	20,940 (93.1)	28,800 (128.1)	24,360 (108.4)	28,800 (128.1)	
		8 (203.2)	14,660 (65.2)	20,880 (92.9)	20,940 (93.1)	28,800 (128.1)	24,360 (108.4)	28,800 (128.1)	
1 (25.4)	300 (406.7)	4-1/2 (114.3)	11,770 (62.0)	16,080 (71.5)	19,245 (89.8)	22,820 (101.5)	21,180 (94.2)	24,480 (108.9)	
		7-3/8 (187.3)	14,600 (64.9)	28,680 (127.6)	23,980 (106.7)	37,940 (168.8)	33,260 (148.0)	38,080 (169.4)	
		9-1/2 (241.3)	18,700 (83.2)	28,680 (127.6)	26,540 (118.1)	37,940 (168.8)	33,260 (148.0)	38,080 (169.4)	

\* Allowable values are based upon a 4 to 1 safety factor. Divide by 4 for allowable load values.

\* For Tie-Wire Wedge Anchor, TW-1400, use tension data from 1/4" diameter with 1-1/8" embedment.

\* For continuous extreme low temperature applications, use stainless steel.

## PERFORMANCE TABLE

# Trubolt Wedge Anchors

## Ultimate Tension and Shear Values (Lbs/kN) in Lightweight Concrete\*

ANCHOR DIA. In. (mm)	INSTALLATION TORQUE Ft. Lbs. (Nm)	EMBEDMENT DEPTH In. (mm)	ANCHOR TYPE	LIGHTWEIGHT CONCRETE f'c = 3000 PSI (20.7 MPa)		LOWER FLUTE OF STEEL DECK WITH LIGHTWEIGHT CONCRETE FILL f'c = 3000 PSI (20.7 MPa)	
				TENSION Lbs. (kN)	SHEAR Lbs. (kN)	TENSION Lbs. (kN)	SHEAR Lbs. (kN)
3/8 (9.5)	25 (33.9)	1-1/2 (38.1)	WS-Carbon or WS-G Hot-Dipped Galvanized or WW-304 S.S. or SWW-316 S.S.	1,175 (5.2)	1,480 (6.6)	1,900 (8.5)	3,160 (14.1)
		3 (76.2)		2,825 (12.6)	2,440 (10.9)	2,840 (12.6)	4,000 (17.8)
1/2 (12.7)	55 (74.6)	2-1/4 (57.2)		2,925 (13.0)	2,855 (12.7)	3,400 (15.1)	5,380 (23.9)
		3 (76.2)		3,470 (15.4)	3,450 (15.3)	4,480 (19.9)	6,620 (29.4)
5/8 (15.9)	90 (122.0)	4 (101.6)		4,290 (19.1)	3,450 (15.3)	4,800 (21.4)	6,440 (28.6)
		3 (76.2)		4,375 (19.5)	4,360 (19.4)	4,720 (21.0)	5,500 (24.5)
3/4 (19.1)	110 (149.2)	5 (127.0)		6,350 (28.2)	6,335 (28.2)	6,580 (29.3)	9,140 (40.7)
		5-1/4 (133.4)		5,390 (24.0)	7,150 (31.8)	5,840 (26.0)	8,880 (39.5)
				7,295 (32.5)	10,750 (47.8)	7,040 (31.3)	N/A

\* Allowable values are based upon a 4 to 1 safety factor. Divide by 4 for allowable load values.

**PERFORMANCE TABLE**

**Trubolt**  
**Wedge Anchors**

**Recommended Edge and Spacing Distance Requirements for Shear Loads\***

ANCHOR DIA. In. (mm)	EMBEDMENT DEPTH In. (mm)	ANCHOR TYPE	EDGE DISTANCE REQUIRED TO OBTAIN MAX. WORKING LOAD In. (mm)	MIN. EDGE DISTANCE AT WHICH THE LOAD FACTOR APPLIED = .60 In. (mm)	MIN. EDGE DISTANCE AT WHICH THE LOAD FACTOR APPLIED = .20 In. (mm)	SPACING REQUIRED TO OBTAIN MAX. WORKING LOAD In. (mm)	MIN. ALLOWABLE SPACING BETWEEN ANCHORS In. (mm) LOAD FACTOR APPLIED = .40
1/4 (6.4)	1-1/8 (28.6)	WS-Carbon or WS-G Hot-Dipped Galvanized or WW-304 S.S. or SSW-316 S.S.	2 (50.8)	1-5/16 (33.3)	N/A	3-15/16 (100.0)	2 (50.8)
	1-15/16 (49.2)		1 (25.4)	N/A	3-7/8 (98.4)	1-15/16 (49.2)	
3/8 (9.5)	1-1/2 (38.1)		2-5/8 (66.7)	1-3/4 (44.5)	N/A	5-1/4 (133.4)	2-5/8 (66.7)
	3 (76.2)		3-3/4 (95.3)	3 (76.2)	1-1/2 (38.1)	6 (152.4)	3 (76.2)
1/2 (12.7)	2-1/4 (57.2)		3-15/16 (100.0)	2-9/16 (65.1)	N/A	7-7/8 (200.0)	3-15/16 (100.0)
	4-1/8 (104.8)		5-3/16 (131.8)	3-1/8 (79.4)	1-9/16 (39.7)	6-3/16 (157.2)	3-1/8 (79.4)
5/8 (15.9)	2-3/4 (69.9)		4-13/16 (122.2)	3-1/8 (79.4)	N/A	9-5/8 (244.5)	4-13/16 (122.2)
	5-1/8 (130.2)		6-7/16 (163.5)	3-7/8 (98.4)	1-15/16 (49.2)	7-11/16 (195.3)	3-7/8 (98.4)
3/4 (19.1)	3-1/4 (82.6)		5-11/16 (144.5)	3-3/4 (95.3)	N/A	11-3/8 (288.9)	5-11/16 (144.5)
	6-5/8 (168.3)		6-5/16 (160.3)	5 (127.0)	2-1/2 (63.5)	9-15/16 (252.4)	5 (127.0)
7/8 (22.2)	3-3/4 (95.3)		6-9/16 (166.7)	4-5/16 (109.5)	N/A	13-1/8 (333.4)	6-9/16 (166.7)
	6-1/4 (158.8)		8-1/2 (215.9)	6-1/4 (158.8)	3-1/8 (79.4)	12-1/2 (317.5)	6-1/4 (158.8)
1 (25.4)	4-1/4 (108.0)	7-7/8 (200.0)	5-1/8 (130.2)	N/A	15-3/4 (400.1)	7-7/8 (200.0)	
	7-3/8 (187.3)	10-1/16 (255.6)	7-3/8 (187.3)	3-11/16 (93.7)	14-3/4 (374.7)	7-3/8 (187.3)	

\* Spacing and edge distances shall be divided by 0.75 when anchors are placed in structural lightweight concrete. Linear interpolation may be used for intermediate spacing and edge distances.

**PERFORMANCE TABLE**

**Trubolt**  
**Wedge Anchors**

**Recommended Edge and Spacing Distance Requirements for Tension Loads\***

ANCHOR DIA. In. (mm)	EMBEDMENT DEPTH In. (mm)	ANCHOR TYPE	EDGE DISTANCE REQUIRED TO OBTAIN MAX. WORKING LOAD In. (mm)	MIN. ALLOWABLE EDGE DISTANCE AT WHICH THE LOAD FACTOR APPLIED = .65 In. (mm)	SPACING REQUIRED TO OBTAIN MAX. WORKING LOAD In. (mm)	MIN. ALLOWABLE SPACING AT WHICH THE LOAD FACTOR APPLIED = .70 In. (mm)
1/4 (6.4)	1-1/8 (28.6)	WS-Carbon or WS-G Hot-Dipped Galvanized or WW-304 S.S. or SSW-316 S.S.	2 (50.8)	1 (25.4)	3-15/16 (100.0)	2 (50.8)
	1-15/16 (49.2)		1 (25.4)	3-7/8 (98.4)	1-15/16 (49.2)	
	2-1/8 (54.0)		13/16 (20.6)	3-3/16 (81.0)	1-5/8 (41.3)	
3/8 (9.5)	1-1/2 (38.1)		2-5/8 (66.7)	1-5/16 (33.3)	5-1/4 (133.4)	2-5/8 (66.7)
	3 (76.2)		3 (76.2)	1-1/2 (38.1)	6 (152.4)	3 (76.2)
	4 (101.6)		3 (76.2)	1-1/2 (38.1)	6 (152.4)	3 (76.2)
1/2 (12.7)	2-1/4 (57.2)		3-15/16 (100.0)	2 (50.8)	7-7/8 (200.0)	3-15/16 (100.0)
	4-1/8 (104.8)		3-1/8 (79.4)	1-9/16 (39.7)	6-3/16 (157.2)	3-1/8 (79.4)
	6 (152.4)		4-1/2 (114.3)	2-1/4 (57.2)	9 (228.6)	4-1/2 (114.3)
5/8 (15.9)	2-3/4 (69.9)		4-13/16 (122.2)	2-7/16 (61.9)	9-5/8 (244.5)	4-13/16 (122.2)
	5-1/8 (130.2)		3-7/8 (98.4)	1-15/16 (49.2)	7-1/16 (195.3)	3-7/8 (98.4)
	7-1/2 (190.5)		5-5/8 (142.9)	2-13/16 (71.4)	11-1/4 (285.8)	5-5/8 (142.9)
3/4 (19.1)	3-1/4 (82.6)	5-11/16 (144.5)	2-7/8 (73.0)	11-3/8 (288.9)	5-11/16 (144.5)	
	6-5/8 (168.3)	5 (127.0)	2-1/2 (63.5)	9-15/16 (252.4)	5 (127.0)	
	10 (254.0)	7-1/2 (190.5)	3-3/4 (95.3)	15 (381.0)	7-1/2 (190.5)	
7/8 (22.2)	3-3/4 (95.3)	6-9/16 (166.7)	3-5/16 (84.1)	13-1/8 (333.4)	6-9/16 (166.7)	
	6-1/4 (158.8)	6-1/4 (158.8)	3-1/8 (79.4)	12-1/2 (317.5)	6-1/4 (158.8)	
	8 (203.2)	6 (152.4)	3 (76.2)	12 (304.8)	6 (152.4)	
1 (25.4)	4-1/2 (114.3)	7-7/8 (200.0)	3-15/16 (100.0)	15-3/4 (400.1)	7-7/8 (200.0)	
	7-3/8 (187.3)	7-3/8 (187.3)	3-11/16 (93.7)	14-3/4 (374.7)	7-3/8 (187.3)	
	9-1/2 (241.3)	7-1/8 (181.0)	3-9/16 (90.5)	14-1/4 (362.0)	7-1/8 (181.0)	

\* Spacing and edge distances shall be divided by 0.75 when anchors are placed in structural lightweight concrete. Linear interpolation may be used for intermediate spacing and edge distances.

**Combined Tension and Shear Loading—for Trubolt Anchors**

Allowable loads for anchors subjected to combined shear and tension forces are determined by the following equation:

$$(P_s/P_t)^{5/3} + (V_s/V_t)^{5/3} \leq 1$$

$P_s$  = Applied tension load     $V_s$  = Applied shear load     $P_t$  = Allowable tension load     $V_t$  = Allowable shear load